



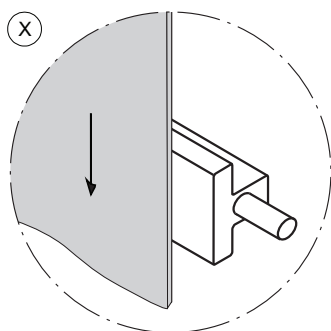
# meTRON 05 profiLine

**METAL DETECTION**

**ELECTRONIC METAL SIGNAL BAR FOR THE INSPECTION OF WEBS.**

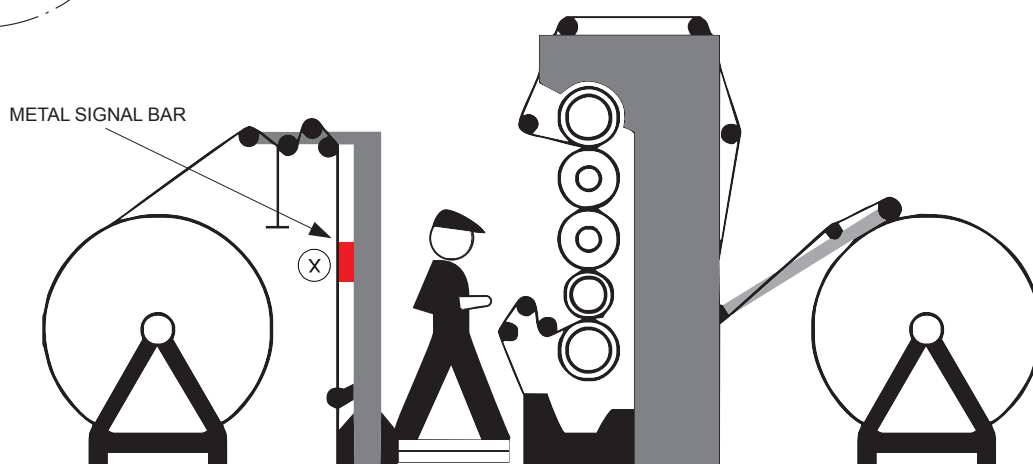
**Reliable** *in Process and Detection*  
**Durable** *in Technology and Performance*  
**Easy** *in Installation and Handling*

- Minimal 'metal free zone' required for installation
- Special coil configurations make the system impervious to vibrations or external effects.
- Anti-static sensor surface
- Easy to operate
- Self-monitoring electronics
- Excellent sensitivity to ferrous, non-ferrous and stainless steel
- Designed for industrial use



## Applications

Machinery protection:  
Calenders, Fabric shredding / Fabric cleaning machines, Form presses



METAL DETECTOR METRON 04 ProfiLine IN USE.