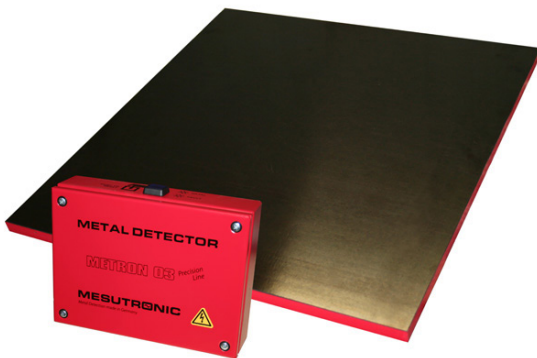


# METRON 03 SL

**METAL DETECTION**

**A METAL DETECTOR FOR INSTALLATION IN BELT CONVEYORS  
PREFERABLY FOR FLAT PRODUCTS.**

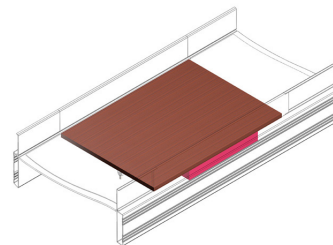
**Reliable** in Process and Detection  
**Durable** in Technology and Performance  
**Easy** in Installation and Handling



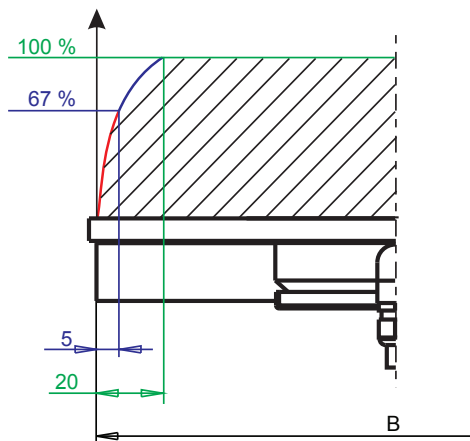
- No metal free zone required
- Excellent sensitivity to ferrous, stainless steel and non-ferrous metals
- Easy to install without excessive modifications
- A slider plate is not required
- The right detector for every conveyor
- Install - connect - done !  
(no additional adjustment or tuning required)

## Applications

Machinery protection  
Cutting mills, Grinders, crushers



## SENSITIVITY RANGE



Sensitivity in % in relation to values given in diagram

Example: (Detection height 20 mm)

100 % = FE-Sphere Ø 3 mm

$$\frac{\text{Ø } 3 \text{ mm}}{100} \times (100 - 67) + \text{Ø } 3 \text{ mm} = \text{Ø } 4 \text{ mm}$$

67 % = FE-ball ~ Ø 4 mm